

LIGHTER. Stronger. Tougher on corrosion.

Sure Seal Teams Up with DuPont® Zytel® Engineered Polymers
Aluminum couplers just can't measure up.



The Sure Seal LST735

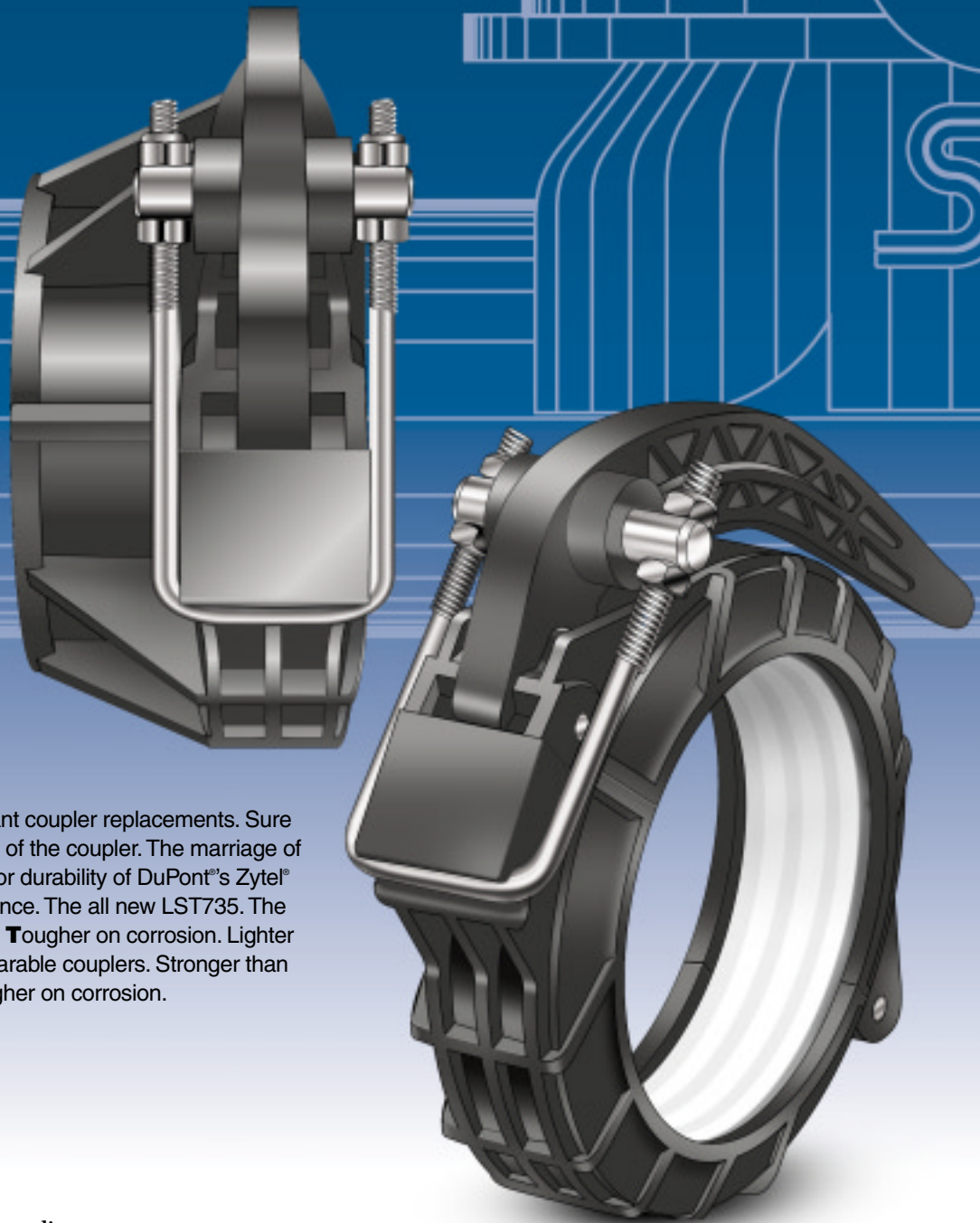
You can't afford down time and constant coupler replacements. Sure Seal has the next step in the evolution of the coupler. The marriage of Sure Seal engineering and the superior durability of DuPont's Zytel® engineered polymer makes the difference. The all new LST735. The **LST** stands for **L**ighter, **S**tronger, and **T**ougher on corrosion. Lighter weight, almost 40% lighter than comparable couplers. Stronger than standard aluminum couplers and Tougher on corrosion.



Making a big difference to your bottom line.

For More Information on Sure Seal Products or the Name of Your Nearest Dealer Call 1-800-382-1604 • Visit us on the Web at www.suresealinc.com

©1998 SureSeal, Incorporated • Patent Pending • DuPont and Zytel are registered trademarks of E.I. du Pont de Nemours and Company.

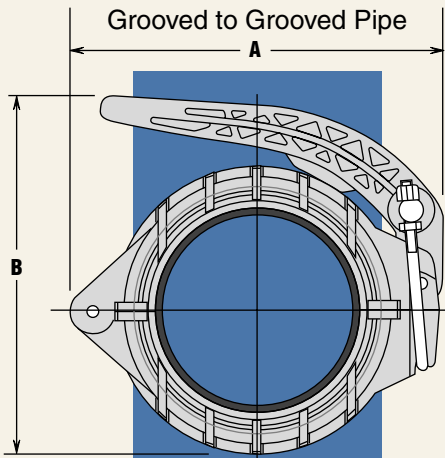


Available in Three Styles

Sure Seal offers the new LST735 Coupler in three configurations.

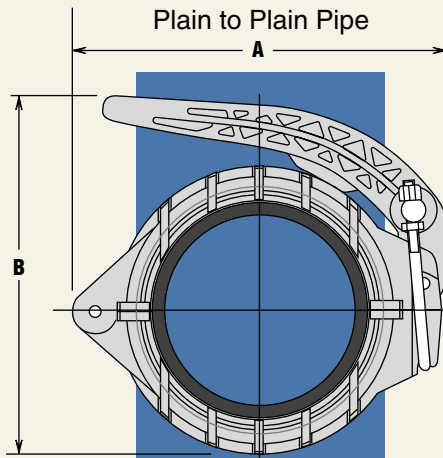
LST735GG

Grooved to Grooved Pipe



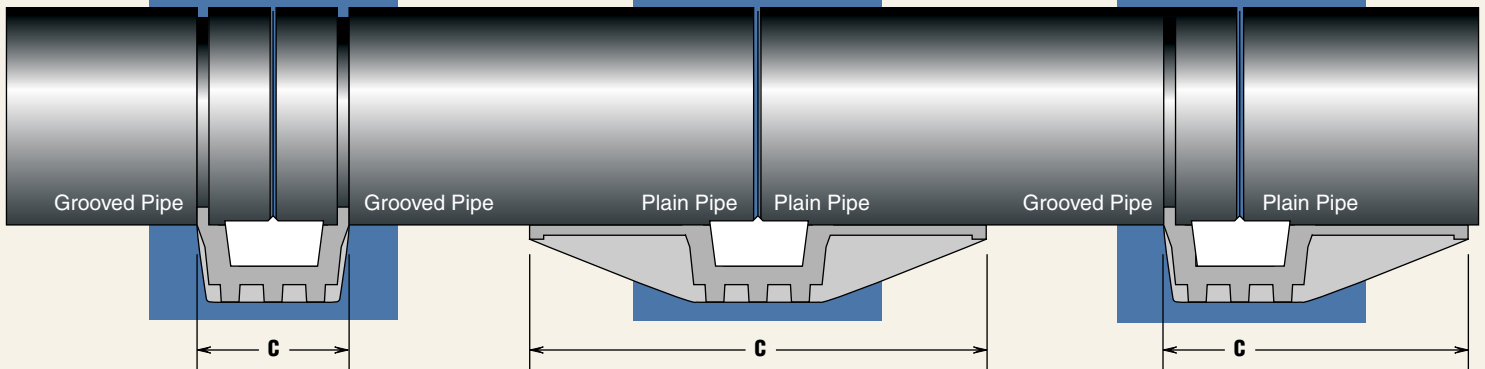
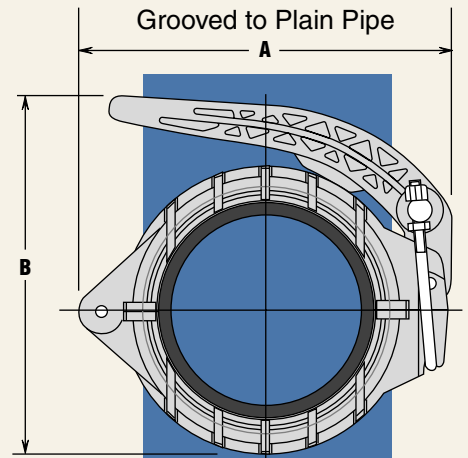
LST735PP

Plain to Plain Pipe



LST735GP

Grooved to Plain Pipe

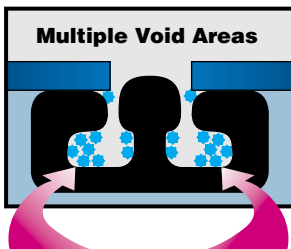


Nom. Size	O.D.	Material	Part No.	Wt. Lbs.	A	B	C
4	4.500	Engineered Polymer & SS Hardware	735GG	1.6	7.900	7.250	2.000
4	4.500	Engineered Polymer & SS Hardware	735PP	1.8	7.900	7.250	4.000
4	4.500	Engineered Polymer & SS Hardware	735GP	1.9	7.900	7.250	3.000

The Clean Seal System

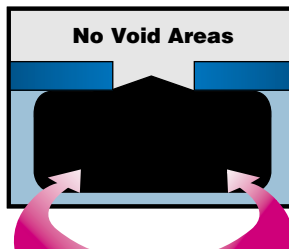
CLEAN SEAL GASKETS are easy to install and replace. White gaskets are special formulated for dry bulk applications where F.D.A. approval is required. Black gaskets are specially formulated for petroleum products, while red gaskets are for high temp applications up to 400 degrees Fahrenheit.

Industry's Previous Design Gasket



Void areas in gasket create hiding spots for contamination. This makes cleaning hard to reach spots costly.

The Clean Seal Design Gasket



With no void areas in gasket there is no place for contamination to hide. A quick disassembly and visual inspection is all that is necessary.



Sure Seal Inc.
Rt. 2, Box 2242 • Mineral Point, MO 63660
1-800-382-1604
(573) 438-5000 • Fax (573) 438-4853