



SIGHT FLOW INDICATORS

SEEING IS BELIEVING

OPW Engineered Systems offers a complete line of sight flow indicators, including the popular VISI-FLO® series.

OPW's sight flow indicators provide a quick, reliable and inexpensive way to verify flow rate and direction, and monitor color and clarity in fluid lines.

Available in a variety of sizes, styles and materials for a wide range of industrial applications, all OPW sight flow indicators are tested to 1-1/2 times rated pressure to ensure maximum reliability in harsh operating conditions.

IMPORTANT: OPW products should be used in compliance with applicable federal, state, provincial, and local laws and regulations. Product selection should be based on physical specifications and limitations and compatibility with the environment and materials to be handled. OPW MAKES NO WARRANTY OF FITNESS FOR A PARTICULAR USE. All illustrations and specifications in this literature are based on the latest product information available at the time of publication. OPW reserves the right to make changes at any time in prices, materials, specifications and models and to discontinue models without notice or obligation.

SIGHT FLOW INDICATORS

AN INSIGHTFUL VIEW INTO HOW THESE COST-EFFICIENT VISUAL MONITORS CAN HELP CONTROL INDUSTRIAL FLUID PROCESSES

Dollar for dollar, sight flow indicators are the most cost efficient and effective way to visually monitor the flow of fluids and to determine where, if any, problems exist at certain points along the industrial process line.

These inexpensive, relatively simple devices – installed directly in the process line – allow operators to qualitatively observe flow rate, direction, color and clarity.

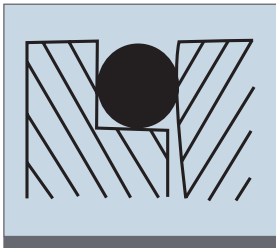
The various readings are visible through a glass viewing lens.

Sight flow indicators can be deployed in one of two ways: (1) either individually at critical points along fluid lines where changes, interruptions or contamination of fluids are likely to occur; or (2) together in banks where the simultaneous monitoring of multiple fluid lines is necessary.

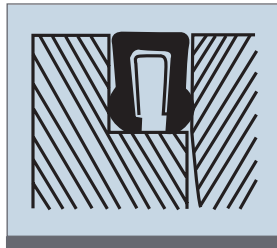
No-Leak Guarantee

Due principally to the failure of conventional flat seals, the complaint most often registered against sight flow indicators is that they leak.

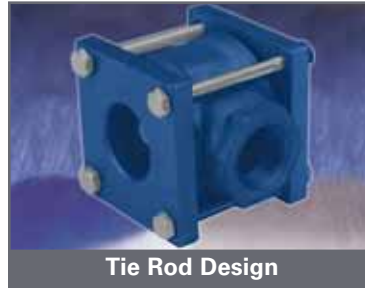
VISI-FLO® is guaranteed not to leak for three full years under normal use. The key design attributes that enable OPW's innovative radial sealing design is so good, it's guaranteed not to leak!



- Elastomer radial seal with memory retention for shape creates steady sealing force between the outside diameter of the lens and the sight flow indicator body.



- Teflon® lip/spring seal with constant spring expansion force maintains sealing by holding the edges of the Teflon® lip seal against the outside diameter of the glass and the sight flow indicator body.



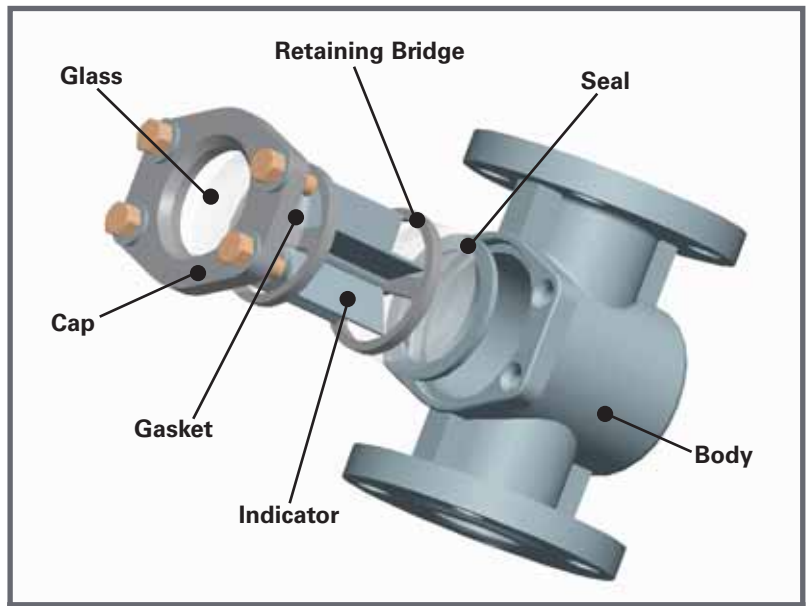
Tie Rod Design



VISI-FLO® Bolt-On Design

Easy Access Bolt-On Design

VISI-FLO's® unique bolt-on design fastens the face plate assembly directly to the body with no special torquing sequence. This provides quick, complete access to the unit from the front side, which gives companies the flexibility to install VISI-FLO® in locations where other sight flow indicators cannot be installed due to clearance problems. Tie rod design sight flow indicators present challenges when it comes to fastening the lens and seal to the body.



**Bridge Design not used in 3" and 4" sizes*

Note: VISI-FLO's® unparalleled modular design allows maintenance personnel to interchange or replace internal assemblies without taking the indicator out of the line. This optimizes uptime and saves on replacement and reordering costs.