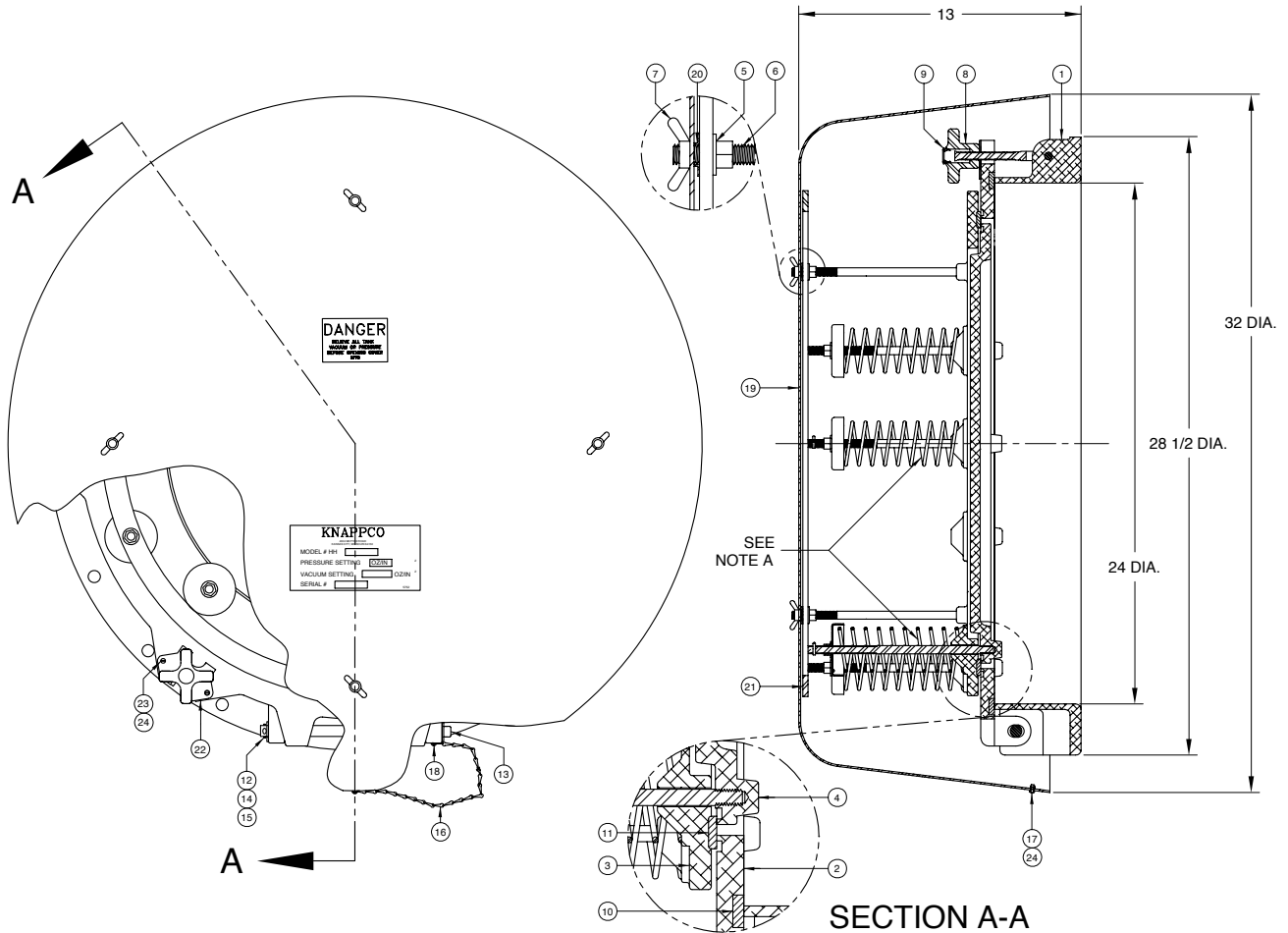




AN OPW<sup>®</sup> FLUID TRANSFER GROUP COMPANY

# HH Series 24" Pressure / Vacuum Hatch



ITEM	PART NUMBER	DESCRIPTION	QTY.
1	5709	BASE RING (ALUMINUM)	1
2	5708	COVER (ALUMINUM)	1
3	5706	PRESSURE POPPET (ALUMINUM)	1
4	5707	VACUUM POPPET (ALUMINUM)	1
5	5694	LOCK NUT (PLATED)	4
6	5712	HOOD STUD (S.S.)	4
7	5695	WING NUT (PLATED)	4
8	5146	HAND KNOB / STUD ASSY.	6
9	5719	PLUG (PLATED)	6
10	5722	COVER GASKET (WHITE BUNA)	1
11	5723	POPPET GASKET (WHITE BUNA)	1
12	5724	HINGE PIN (PLATED)	1
13	1020	PAL NUT (PLATED)	1

ITEM	PART NUMBER	DESCRIPTION	QTY.
14	1043	WASHER (PLATED)	2
15	1045	COTTER PIN (PLATED)	1
16	3589	CHAIN (PLATED)	1
17	2716	SCREW (PLATED)	1
18	1375	SCREW (PLATED)	1
19	5699	WEATHER HOOD (ALUMINUM)	1
20	5144	RETAINING CLIP (PLATED)	2
21	5727	REINFORCEMENT RING (ALUM)	1
22	2592	WEAR PLATE (PLATED)	6
23	3546	SCREW (S.S.)	12
24	3544	LOCK NUT (S.S.)	13

NOTE A: PRESSURE AND VACUUM SETTINGS ARE FACTORY SET.  
CONTACT KNAPPCO FOR SPRING REPLACEMENT INFORMATION.



PHONE: (816) 741-6600 • (888) 526-5657 • Fax: (816) 741-1061  
4304 Mattox Road • Kansas City, MO 64150 • [www.knappco.com](http://www.knappco.com)