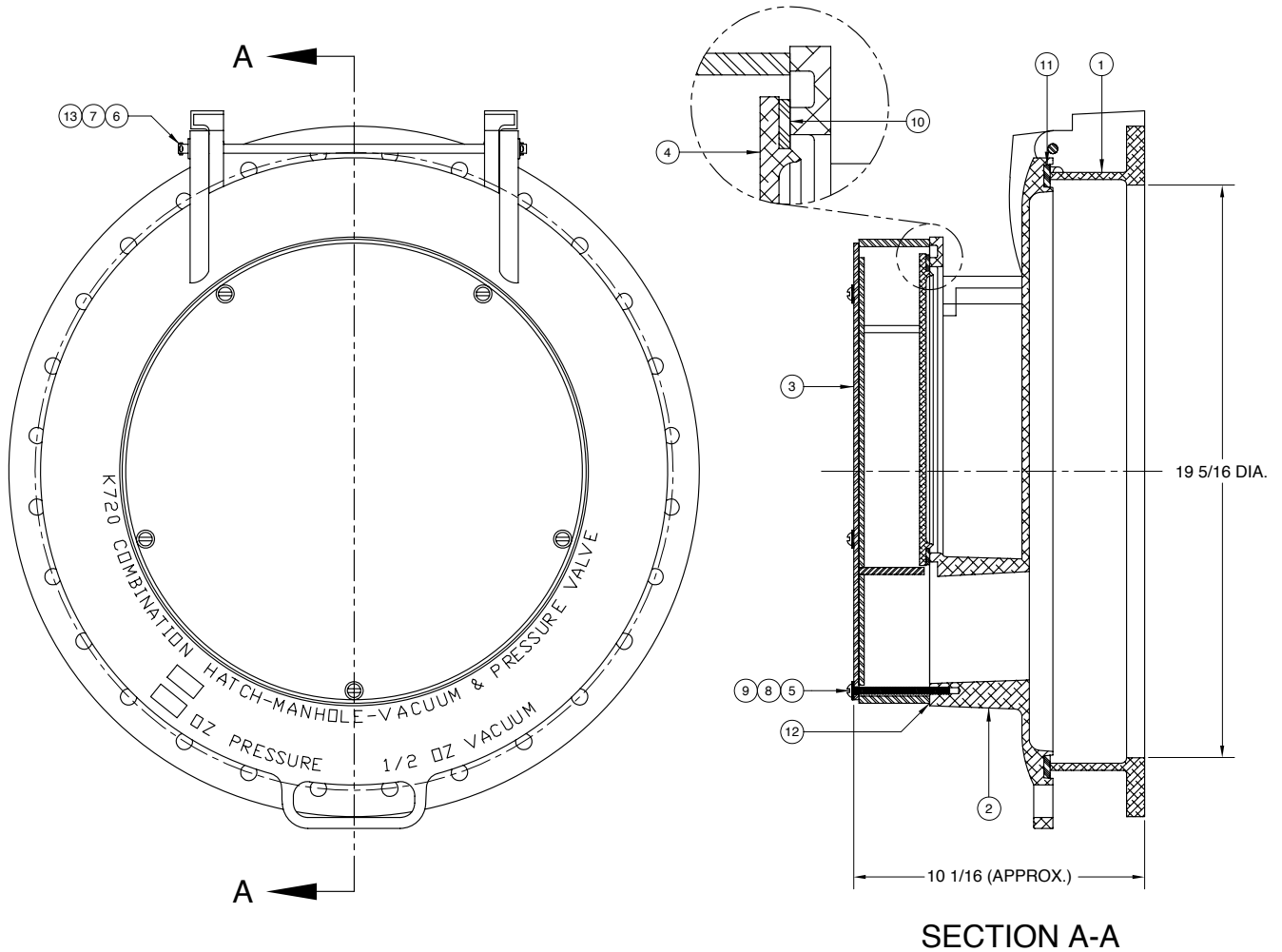




AN OPW[®] FLUID TRANSFER GROUP COMPANY

HC Series 20" Pressure / Vacuum Hatch



ITEM	PART NUMBER	DESCRIPTION	QTY.
1	1661	BASE (ALUMINUM)	1
2	1662	COVER (ALUMINUM)	1
3	SEE CHART	DOMES ASSEMBLY	1
4	1663	VACUUM POPPET (ALUMINUM)	1
5	1666	SCREW (PLATED)	5
6	3798	HINGE PIN (PLATED)	1
7	1567	COTTER PIN (PLATED)	2
8	1328	WASHER (NYLON)	5
9	1691	WASHER (PLATED)	5
10	1664	POPPET GASKET (NEOPRENE)	1
11	1665	COVER GASKET (NEOPRENE)	1

ITEM	PART NUMBER	DESCRIPTION	QTY.
12	6347	DOMES GASKET (NEOPRENE)	1
13	1670	WASHER (PLATED)	2

DOMES ASSY / PRESSURE CHART		
ASSY P/N	DOMES P/N	DESCRIPTION
HC1120	1680	DOMES ASSEMBLY (1 OZ.)
HC1110	3797	DOMES ASSEMBLY (2 OZ.)
HC1111	3800	DOMES ASSEMBLY (4 OZ.)
HC1112	3801	DOMES ASSEMBLY (5 OZ.)
HC1113	3802	DOMES ASSEMBLY (6 OZ.)



PHONE: (816) 741-6600 • (888) 526-5657 • Fax: (816) 741-1061
 4304 Mattox Road • Kansas City, MO 64150 • www.knappco.com