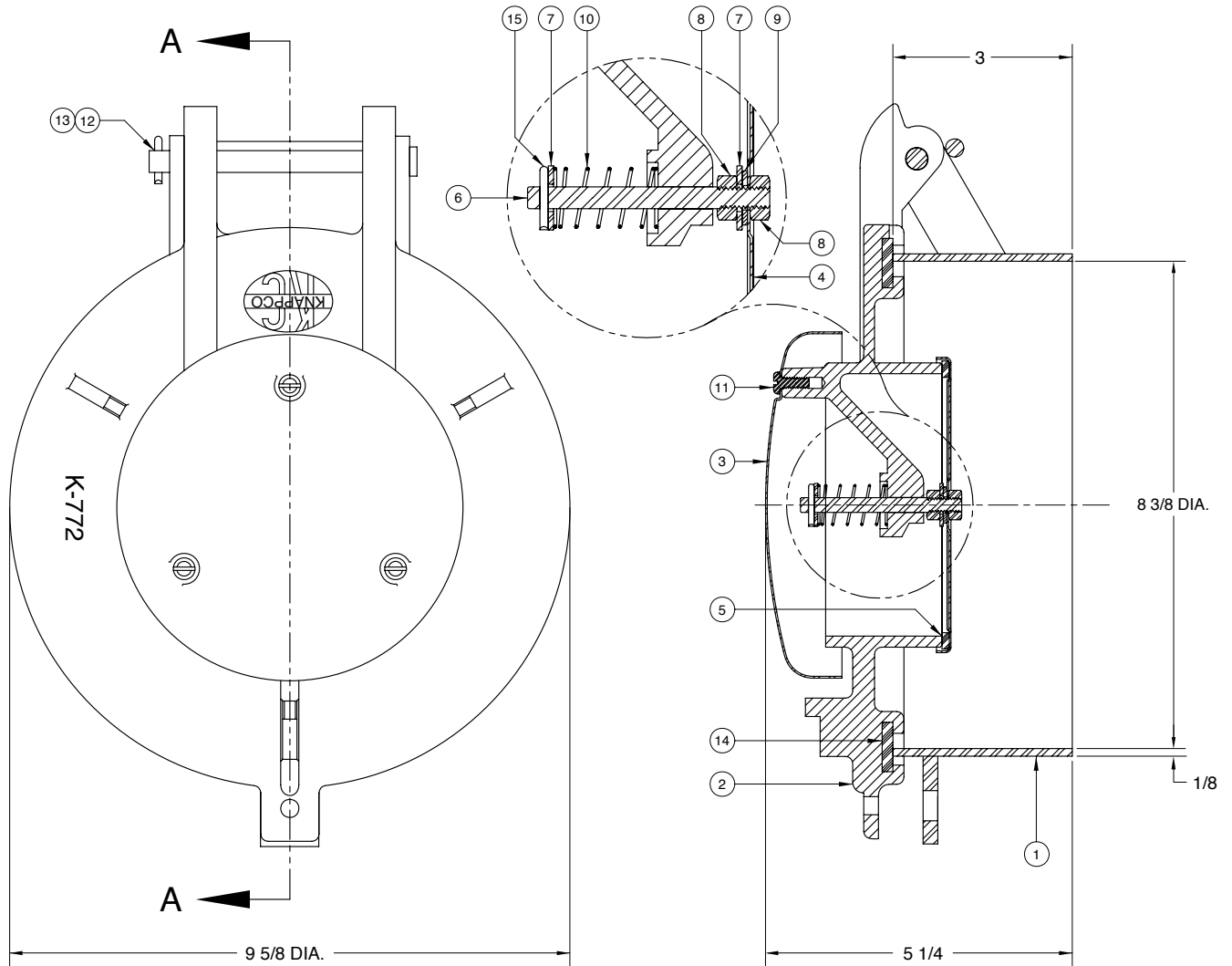




AN OPW® FLUID TRANSFER GROUP COMPANY

# HA1110 8" Pressure / Vacuum Tank Hatch



SECTION A-A

ITEM	PART NUMBER	DESCRIPTION	QTY.
1	1695	WELD RING ASSY (STEEL)	1
2	3828	COVER (GALVANIZED)	1
3	3829	DOME (PLATED)	1
4	1682	VACUUM POPPET (PLATED)	1
5	1683	VACUUM GASKET (NEOPRENE)	1
6	3934	POPPET ROD (PLATED)	1
7	1685	WASHER (PLATED)	2
8	1686	HEX JAM NUT (PLATED)	2

ITEM	PART NUMBER	DESCRIPTION	QTY.
9	1164	GASKET (BUNA)	1
10	3935	SPRING (PLATED)	1
11	1375	SCREW (PLATED)	3
12	5045	CLEVIS PIN (PLATED)	1
13	1045	COTTER PIN (PLATED)	1
14	1676	GASKET (NEOPRENE)	1
15	1567	COTTER PIN (PLATED)	3



PHONE: (816) 741-6600 • (888) 526-5657 • Fax: (816) 741-1061  
 4304 Mattox Road • Kansas City, MO 64150 • [www.knappco.com](http://www.knappco.com)