



Overfill Prevention Sockets

The OPWFTG Liberty Overfill Prevention Sockets are designed for optimal tank-truck to rack system communications. Not only are they instantly permissive and specially designed for optimal communication with our 8500E-series Rack Monitors (conforming to EN13922); but they are also compatible with all other brands of Rack Monitors (which conform to EN13922 standards as well).

Features and Benefits

- **All sockets conform** to API standards
- **The 10-pin socket** is designed to conform to EN13922 and make cross-boarder loading/unloading available. Model 4401B also meets VOC requirements.
- **Simple and durable connection** by the use of 3 J-slots (4100EURO/PS) or 4 J-slots (4401E/4401B) between socket and connector
- **Durable housing** to prevent socket mounting, probe wiring connection and heavy road travel problems
- **Colour-coded labels and caps** for easy identification
- **Integral pressure switch** standard on 4100PS and 4401B
- **Air brake interlock switch** on 4401SQS
- **PIN for tanker earthing** incorporated
- **The Thermistor Socket** is used to connect up to 8 Thermistor Sensors
- **The Two-Wire Optic Socket** is used to connect up to 8 Two-Wire Optical Sensors
- **The Five-Wire Optic Socket** is used to connect up to 12 Five-Wire Optical Sensors



4401E Thermistor Socket

4401B 10-pin socket conforms to EN13922 and VOC

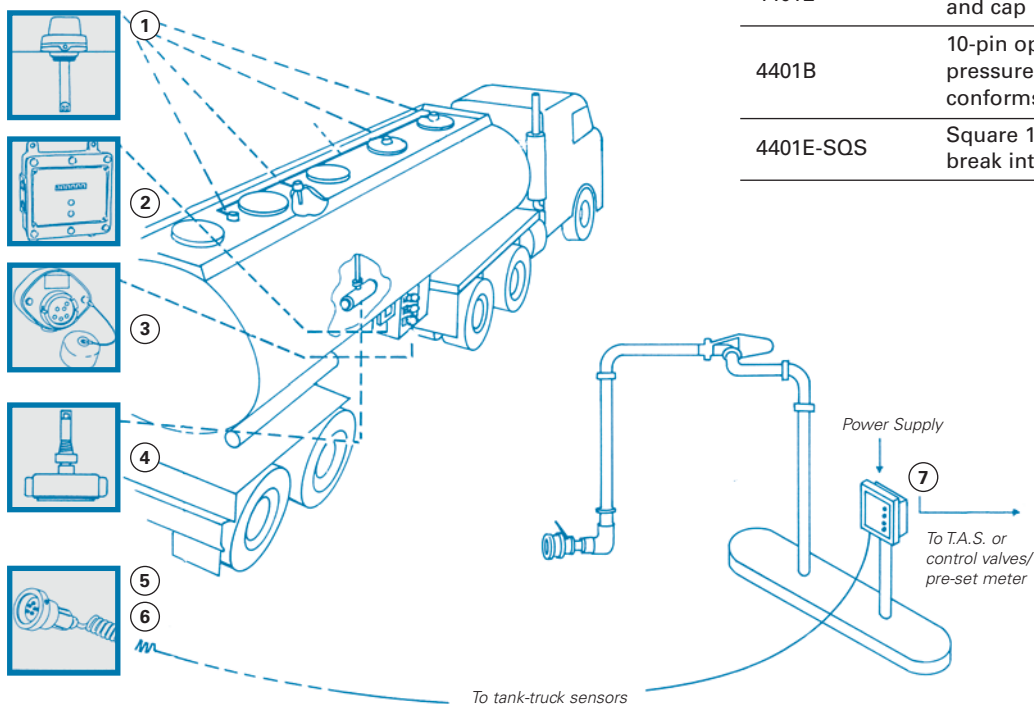
Accessories

- 4150-4150** Replacement cap & cable for 4100E, Blue
- 4450-4450** Replacement cap & cable for 4401E, Green
- 4450B** Replacement cap & cable for 4401B, Black, conform EN13922

Ordering Specifications

OPW Liberty Overfill Prevention Sockets

4100E-EURO	6-pin optical socket, BASEEFA
4100-PS	4100E-EURO with pressure switch conform 94/63EC (VOC)
4401E	10-pin thermistor socket, green label and cap
4401B	10-pin optic/thermistor socket with pressure switch, black label & cap, conforms to EN13922 and VOC
4401E-SQS	Square 10-pin thermistor socket with break interlock and pressure switch



Trailer Equipment List

- 1 | Sensor(s):
(One Per Compartment)
Plus Sensor Cable
- 2 | On-board Control Monitor / ROM
- 3 | Rack-Compatible Socket(s)
- 4 | Retain Bottom Sensor

Loading Rack Equipment

- 5 | Rack Monitor
- 6 | Connecting Plug
- 7 | Plug/Monitor Cord Set