

A-520/A-522 Ball Valves

Midland Bottom Outlet Ball Valves are manufactured using durable stainless or carbon steel.

Ethanol and crude oil have unique properties that can affect the integrity of valve seals and lead to leaks or valve failure. The A-520 Series is Midland's solution to combat these deteriorative effects. Featuring DuraSteel ball valve seats and PFA-encapsulated plug valve seals, Midland ball valves offer greater resistance to abrasion and reduce the chance of leakage caused by particle contamination.

Features

- Main shaft wiper seal prevents contaminants from entering seal area
- Compact design fits in all valve locations
- Universal mounting fits all current API adaptors and vapor fittings
- Rigid mounting for extended valve life
- Easy to use - valves open and close fully with only a quarter turn
- Unrestricted full port opening allows high-flow rates for faster unloading
- Standard Teflon® seats provide universal compatibility with most commodities
- Special seat designs are available for highly viscous products
- New "vented ball" design for better sustainability and function



A-520 Low Profile

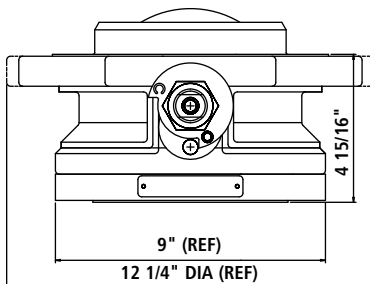
Low & Standard profiles available

Carbon Steel or Stainless Steel Construction

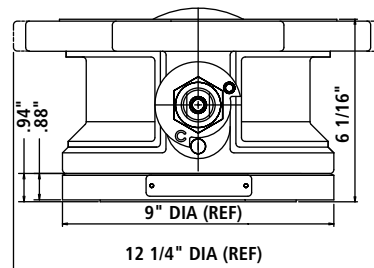
AAR E122005



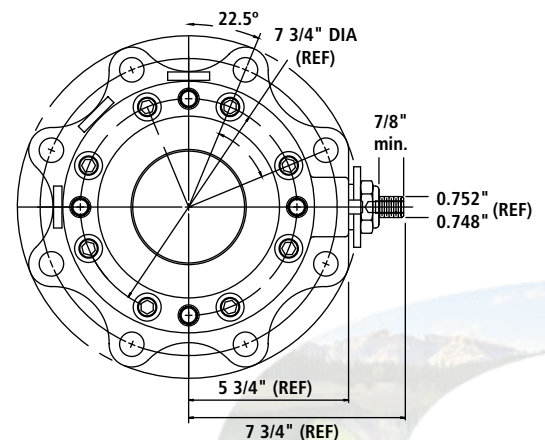
A-522 Standard Profile



A-520 Low Profile



A-522 Standard Profile



A-520/A-522 Ball Valves — Ordering Specifications

Ball Valve Part System

Style		Material of Construction		Steam Jacket		Seat Material		Special Options	
A-52X	-C2	-XX		-XX		-XX		-XX	
Low Profile	0	Carbon Steel	CS	Consult Midland for jacket specs and designations	NULL (no steam jacket)	Virgin Teflon®	NULL	Null or Consult Midland for available special options, specs, and designations	
Standard	2	Stainless Steel	MO		SJ	316 Stainless Steel Teflon®	ST		
					SJ1	PTFE & VA	TF		
					SJ2				
					SJ3				
				SJ4					

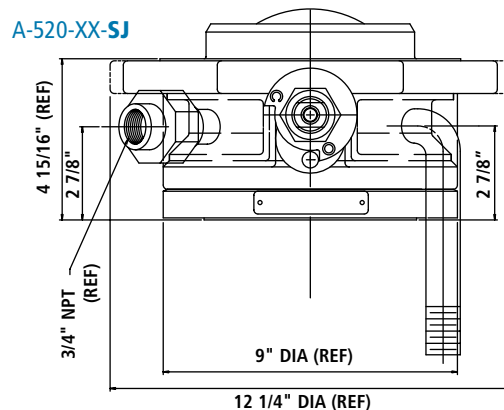
Available Accessories

Model	Description
520-152-CS	Longitudinal Ball Valve Handle Kit
520-154-CS	Transverse Ball Valve Handle Kit
K-520-18-CS	Ball Valve Coupling Kit, Coupling Handle, Lock Washer Assembly, Nylon Insert Locknut, 7/16-20 UNF X3" Bolt
K-520-01-TF	Teflon® Seal Kit
K-520-04-ST	Stainless-filled Teflon® Seal Kit
Outlet Leg Nozzles	
Outlet Leg Caps	

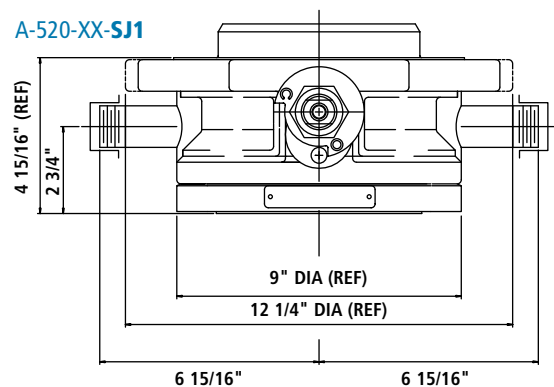
Model Number	Valve Style	Seat I.D.	Saddle Mounting	Groove	Bolt Circle	Hole Size	No. of Holes	Outlet	Skid (Optional)
A-520	Ball, Low Profile	4.00	Midland B-365-T	8-1/2" x 7-1/2"	10-5/8"	7/8"	8	5-1/4" (4) Thread with (P/N 64-XX)	B-373, B-374
A-522	Ball, External	4.00	UMF Midland B-365-T	8-1/2" x 7-1/2"	10-5/8"	7/8"	8	5-1/4" (4) Thread with (P/N 64-XX)	B-373, B-374

Common Available - Steam Jacket Configurations

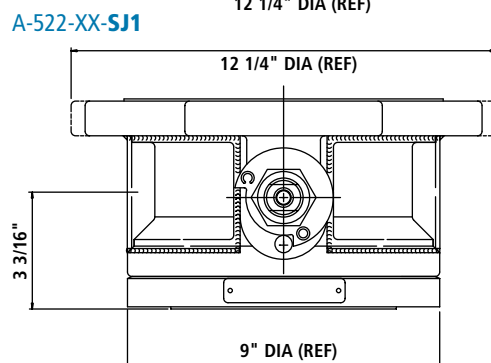
A-520
Low Profile



A-520-XX-SJ1



A-522
Standard Profile



A-522-XX-SJ

