



Materials

Body: Stainless steel

Internal Components: Stainless steel

Seals: Specially formulated polyurethane seals to withstand high pressure NGV applications



FLB-1000

Features

- ◆ **High-Flow/Fast Fill Capacity** - This NGV1 breakaway will provide quick fueling of large vehicles.
- ◆ **Durable, Corrosion-Resistant Construction** - stainless steel construction provides improved durability and corrosion resistance in harsh environments.
- ◆ **Reconnectable Design** - allows the component to be reused, reducing total cost of ownership
- ◆ **Innovative Valve System** - the sealing system in this breakaway minimizes the amount of vent gas released during a drive-away incident.
- ◆ **Reduced Size and Weight** - to allow for more applications where size may be a concern.
- ◆ **Easy Installation** - the in-line breakaway has SAE-6 O-ring fittings for easy installation in line between the dispenser and nozzle.
- ◆ **Disconnection Force** - 120 lbs. (+/- 30 lbs.) (534+/- 134 N).
- ◆ **100% Leak and Breakaway Tested, with Traceable Serial Numbers**

Fill-Line Breakaway (FLB-1000) - Standard Duty

OPW has optimized the in-line breakaway for use in automotive NGV refueling applications. This unit will function consistently, independent of the inlet pressure.

Specifications:

Max Flow Rate: 3,700 SCFM @ 3,600 psid

Temperature Range: -40° F to 185° F
(-40° C to 85° C)

Cv: 1.85

MAWP: 4,532 psi (312.5Bar)



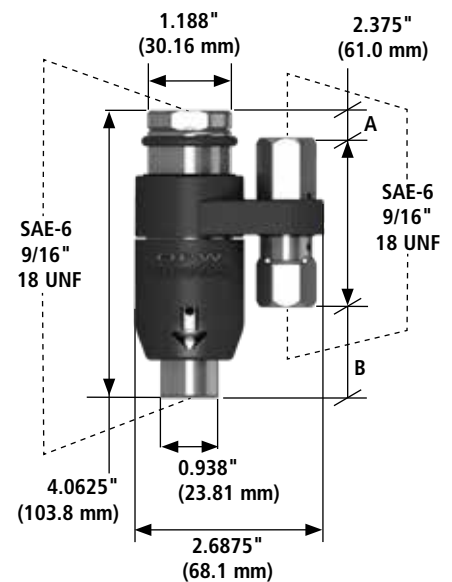
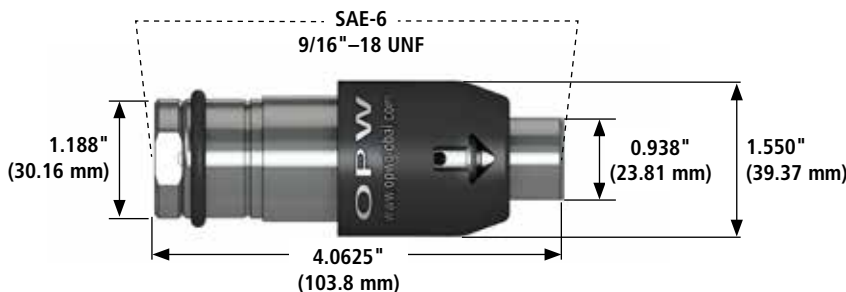
Fill-Line Breakaway Kit

CNGBREAKKIT-1000
(Includes NGVLB Breakaway)

Ordering Specifications

Product #	Inlet Thread Size	Outlet Thread Size	Service Pressure	Weight
FLB-1000	SAE - 6, 9/16" - 18 UNF (female)	SAE - 6, 9/16" - 18 UNF (female)	3,600 psi 250 bar	0.91 lb (0.41 kg)
CNGBREAKKIT-1000 (Includes FLB-1000 and NGVLB Breakaway)	FLB-1000 SAE - 6, 9/16" - 18 UNF (female)	FLB-1000 SAE - 6, 9/16" - 18 UNF (female)	3,600 psi 250 bar	1.13 lb (0.51 kg)
	NGVLB SAE - 6, 9/16" - 18 UNF	NGVLB SAE - 6, 9/16" - 18 UNF	3,600 psi 250 bar	

FLB-1000 Dimensions



A Offset = 0.386" (9.81mm)

B Offset = 1.299" (32.99mm)

Listings and Certifications



NGV 4.4

CRN

See page 23 for Canadian Registration Number

Canadian Registration Numbers by Province

Canadian Registration Numbers OPW CleanEnergy Products	British Columbia	Alberta	Ontario	Quebec	Saskatchewan	Manitoba	Nova Scotia	New Brunswick
NT2A series	0C21049.21	0C21049.2	0C21049.25	0C21049.26	0C21049.23	0C21049	0C21049.29	0C21049.29
CT1000 series	0H18834.21	0H18834.2	0H18834.25	0H18834.26	0H18834.23	0H18834.24	0H18834.28ADD1	0H18834.27ADD1
CT5000	0H15417.51	0H18834.2	0H15417.5	0H15417.56	0H15417.56	0H15417.54	0H15417.58ADD1	0H18834.27
CC600 series	0H18834.21	0H18834.2	0H18834.25	0H18834.26	0H18834.23	0H18834.24	0H18834.28ADD1	0H18834.27ADD1
ILB-1	0H18834.21	0H18834.2	0H18834.25	0H18834.26	0H18834.23	0H18834.24	0H18834.28ADD1	0H18834.27ADD1
ILB-5	0H15417.51	0H15417.52	0H15417.5	0H15417.56	0H15417.56	0H15417.56	Pending	Pending
VLB	0H13989.51	0H13989.52	0H13989.5	0H13989.56	0H13989.56	0H13989.56	Pending	Pending
FLB-1000	0H17341.51	0H17341.52	0H17341.5	0H17341.56	0H17341.56	0H17341.56	0H17341.5987	0H17341.5987
FLB-5000	0H17341.51	0H17341.52	0H17341.5	0H17341.56	0H17341.56	0H17341.56	0H17341.5987	0H17341.5987
NGVLB	0H17341.51	0H17341.52	0H17341.5	0H17341.56	0H17341.56	0H17341.56	0H17341.5987	0H17341.5987
BDN	Pending	0H17140.21	0H17140.25	0H17190.26	Pending	0H17140.24	Pending	Pending

TUV Approved

- ◆ NT2A series nozzles
- ◆ CT1000 series nozzles
- ◆ CT5000 series nozzles
- ◆ CC 6000 series nozzles
- ◆ ILB series breakaways
- ◆ FLB series breakaways
- ◆ NGVLB series breakaways
- ◆ LB, LD, LE series receptacles
- ◆ CL series receptacles