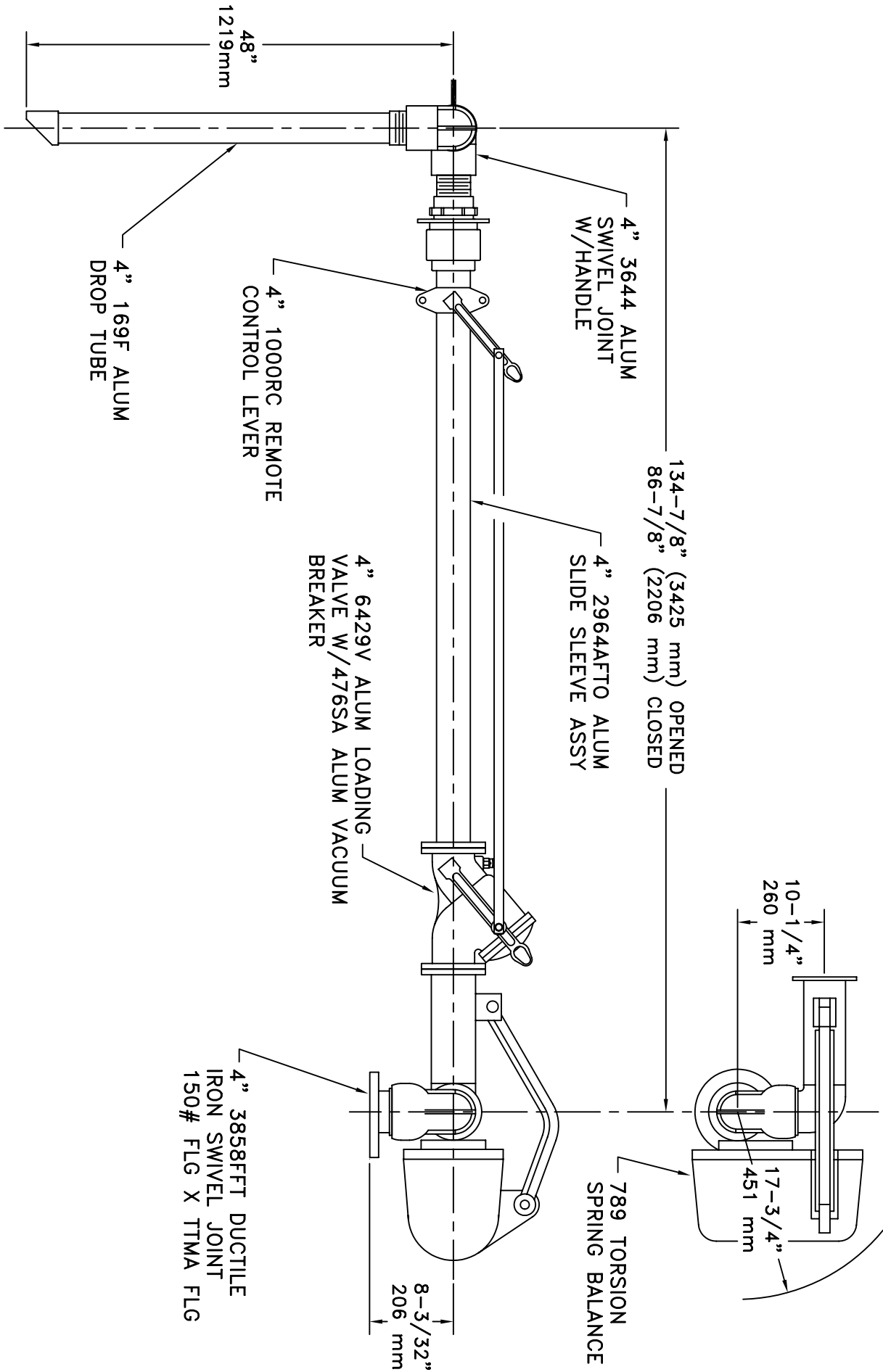


MATERIAL:  
DUCTILE IRON / ALUMINUM  
VITON

OPW  
Engineered Systems

### 4" OPW A32RF LIQUID LOADER



ARM IS DESIGNED FOR PRODUCT RETENTION TO POINT OF VALVE