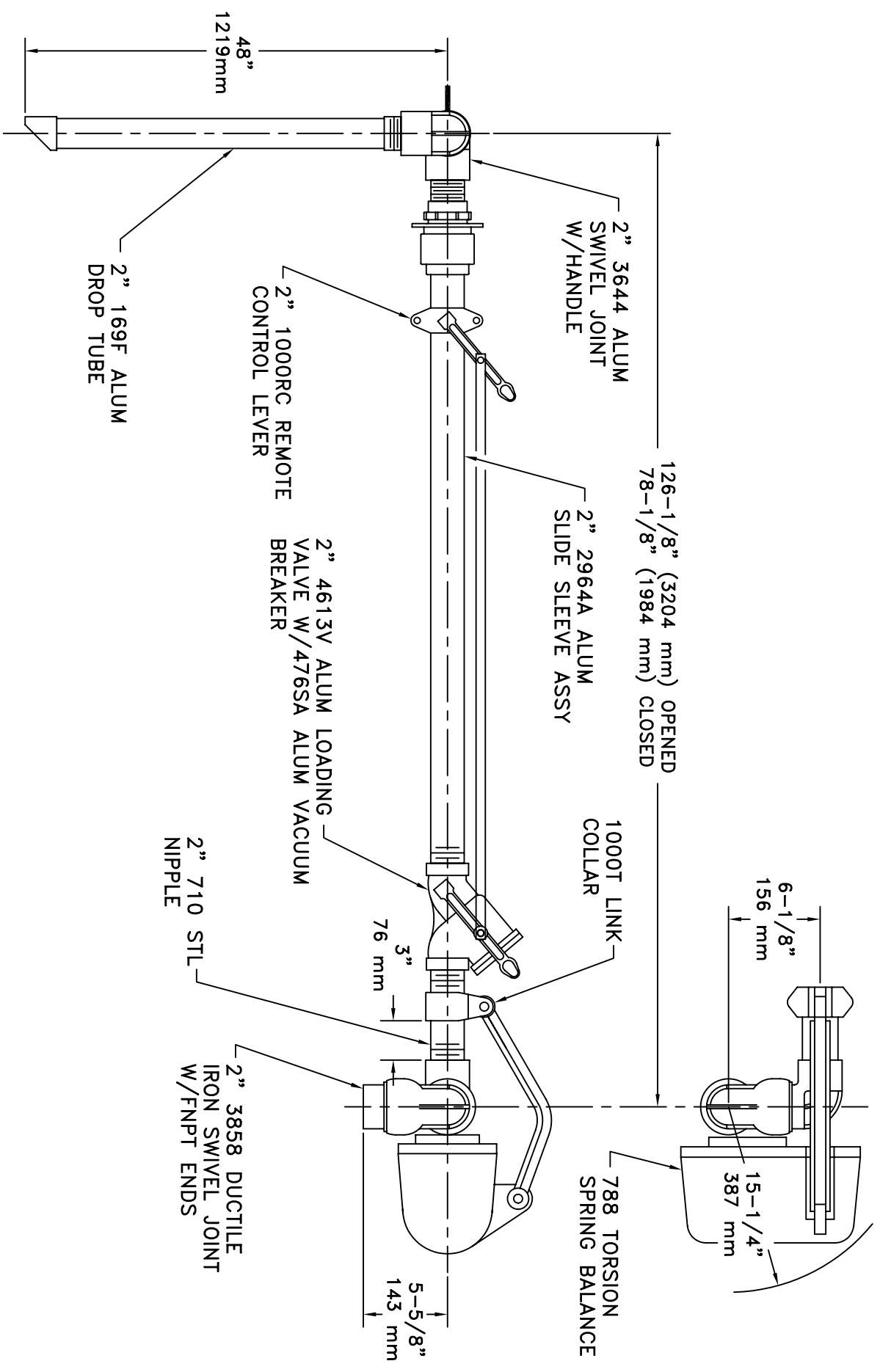


MATERIAL:
 DUCTILE IRON / ALUMINUM
 VITON



2" OPW A32R LIQUID LOADER



ARM IS DESIGNED FOR PRODUCT RETENTION TO POINT OF VALVE