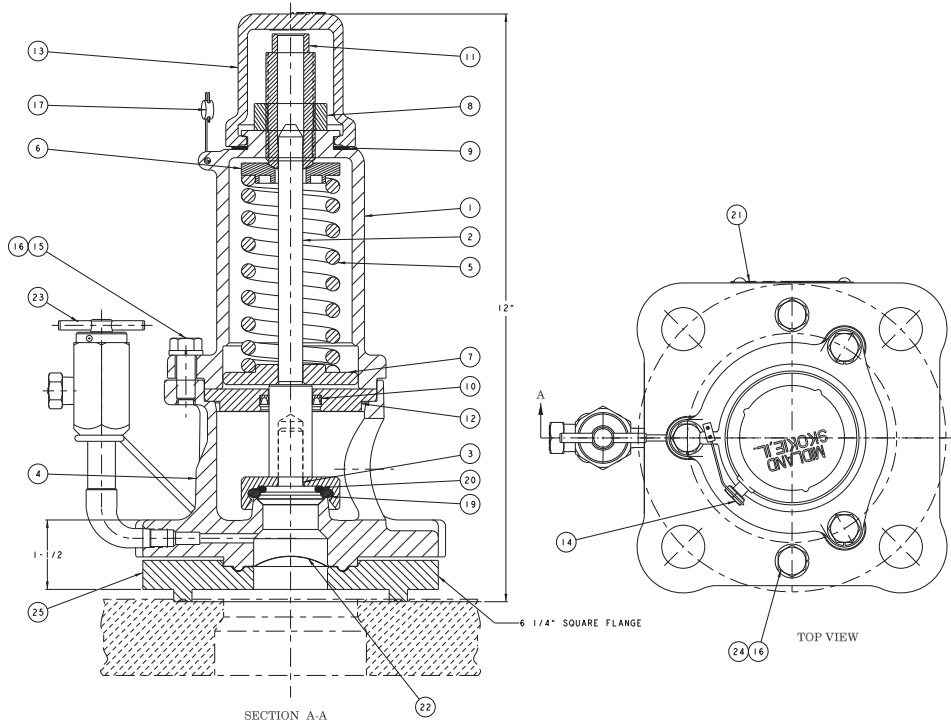


Model A-1700-T Series

Top Style Pressure Relief Valve



Net Flow Area: .994 Square Inches
Weight of Valves: 25 lbs

Pressure Setting (PSIG)	Flow Rate (SCFM-Air)	Spring P/N	A-17150-T Thru A-17450-T Stainless Trim		A-17154-T Thru A-17454-T Stainless Steel	
			Valve P/N	Name Plate P/N	Valve P/N	Name Plate P/N
150	1960	15-150-SS	A-17150-T	17-25-SS	A-17154-T	17-29-SS
165	2827	15-165-SS	A-17165-T	17-44-SS	A-17169-T	17-48-SS
225	3250	15-225-SS	A-17225-T	17-26-SS	A-17229-T	17-30-SS
247.5	3368	15-300-SS	A-17247-T	17-45-SS	A-17251-T	17-49-SS
255	3490	15-300-SS	A-17255-T	17-53-SS	A-17259-T	17-54-SS
280.5	3782	15-300-SS	A-17280-T	17-46-SS	A-17284-T	17-51-SS
300	4020	15-300-SS	A-17300-T	17-34-SS	A-17304-T	17-35-SS
330	3935	15-375-SS	A-17330-T	17-47-SS	A-17334-T	17-52-SS
375	3646	15-375-SS	A-17375-T	17-375-SS	A-17379-T	17-37-SS
450	4198	15-450-SS	A-17450-T	17-40-SS	A-17454-T	17-41-SS

Item	Qty	Part Name	A-17150-T Thru A-17450-T Stainless Trim		A-17154-T Thru A-17454-T Stainless Steel	
			Material	Part No.	Material	Part No.
1	1	Top Guide	Steel	15-1-CS	Stainless	15-1-SS
2	1	Stem	Stainless	17-2-SS	Stainless	17-2-SS
3	1	Plug	Stainless	17-3-SS	Stainless	17-3-SS
4	1	Body	Steel	15-44-CS	Stainless	15-44-MO
5	1	Spring	Stainless	SEE TABLE	Stainless	SEE TABLE
6	1	Follower	Steel	14-6-CS	Stainless	14-6-SS
7	1	Guide	Stainless	15-7-SS	Stainless	15-7-SS
8	1	Top Nut	Steel	15-8-CS	Steel (4)	15-8-CS
9	1	Top Gasket	Buna-N (4)	15-9-BN	Buna-N (4)	15-9-BN
10	1	Shaft Seal	Teflon	17-10-TF	Teflon	17-10-TF
11	1	Adjustment Screw	Stainless	15-11-SS	Stainless	15-11-SS
12	1	Seal Retainer	Steel	17-12-CS	Stainless	17-12-SS
13	1	Cap	Stainless	15-14-SS	Stainless	15-14-SS
14	1	Cap Screw	Steel	15-15-CS	Steel	15-15-CS
15	3	Bolt	Steel	15-16-CS	Stainless	15-16-SS
16	5	Lock Washer	Steel	15-17-CS	Stainless	15-17-SS
17	1	Wire Seal	SS / Lead	15-18-PB	SS / Lead	15-18-PB
18	1	Retainer	Stainless	17-19-SS	Stainless	17-19-SS
19	1	Seat O-Ring	Buna-N (4)	10-10-BN	Buna-N (4)	10-10-BN
20	1	Plug O-Ring	Buna-N (4)	10-11-BN	Buna-N (4)	10-11-BN
21	1	Name Plate	Stainless	SEE TABLE	Stainless	SEE TABLE
22	1	Rupture Disc	Stainless (4)	AS SPECIFIED	Stainless (4)	AS SPECIFIED
23	1	Needle Valve Nipple & Elbow	Stainless	A-253-BN(4) 421-SS	Stainless	A-253-BN(4) 421-SS
24	2	Bolts	Steel	17-31-SS	Stainless	17-31-SS
25	1	Rupture Disc Flange	Steel	17-34-CS	Stainless	17-34-SS

- NOTE:** (1) - **SIZE OF FLANGE HOLES:** Four 7/8" dia. holes are standard. For any other use suffix "J" and specify.
 (2) - **BOLT CIRCLE:** 6 1/4" dia. is standard. For 6 1/2" dia. use suffix "B". For any other, use suffix "C".
 (3) - **MOUNTING:** The AAR standard tongue with an O.D. of 4.745 "±.003" and an I.D. of 4.005 "±.003" is standard. For a 4.995 "x 4.255" tongue use suffix "M". For a 2.245" x 1.505 mounting use suffix "R". For flat face use suffix "P".
 (4) - Alternate material available.