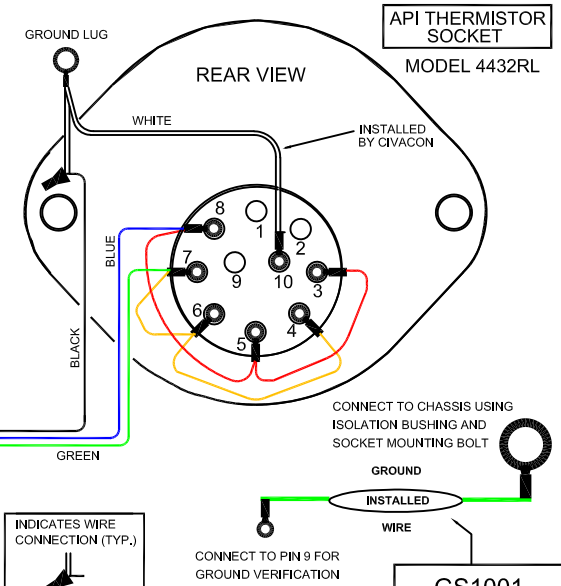


TECHNICAL SUPPORT:  
1-800-524-8226  
CUSTOMER SVC:  
1-800-560-6601



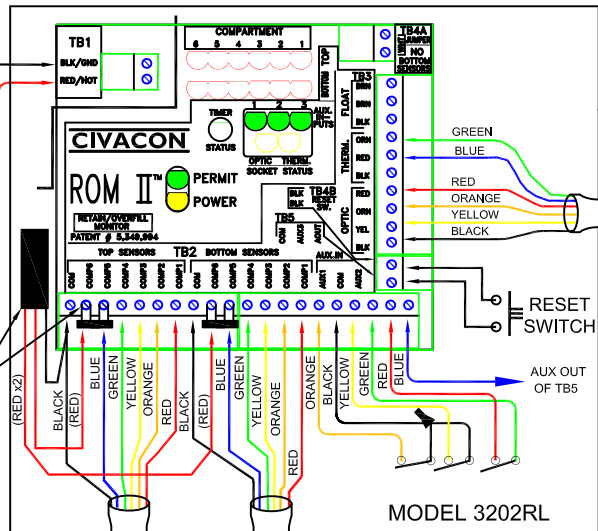
TO TRUCK  
BATTERY POWER

NEGATIVE (-)  
12 VOLTS  
POSITIVE (+)

CUSTOMER SUPPLIED  
OUTSIDE ENCLOSURE

SWITCH 1/2 AMP  
FUSE

1910A  
TERMINATOR  
(Remove Jumper  
Bars for 5 Comp.  
Wiring)



**AUXILIARY INPUTS**  
THE AUX. INPUTS ARE FACTORY  
JUMPERED CLOSED. TO USE THE  
AUX. INPUTS YOU MUST REMOVE  
THE JUMPER FOR THAT INPUT (1,  
2 OR 3) AND PROVIDE A USER  
SUPPLIED SWITCH CLOSURE.

OVERFILL

RETAIN

SENSOR #4

SENSOR #3

SENSOR #2

SENSOR #1

ROMLink  
RETAIN  
SENSORS  
MODEL 5004-RL

