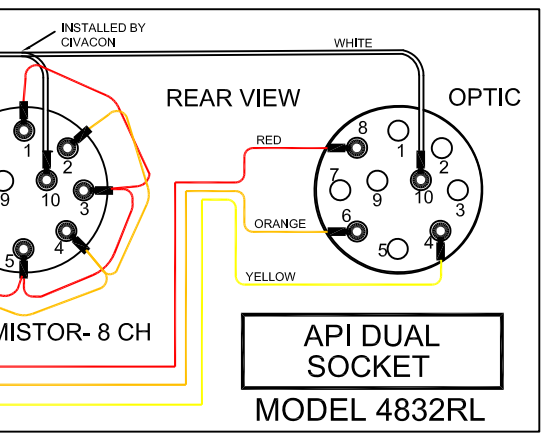
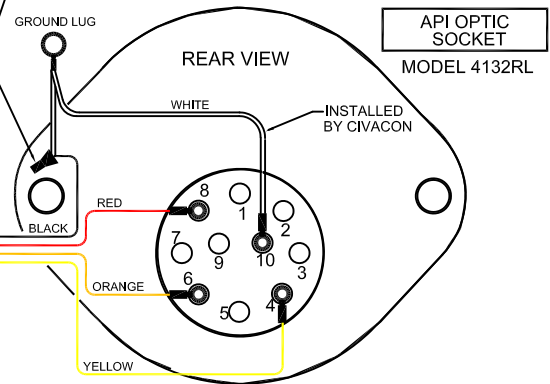
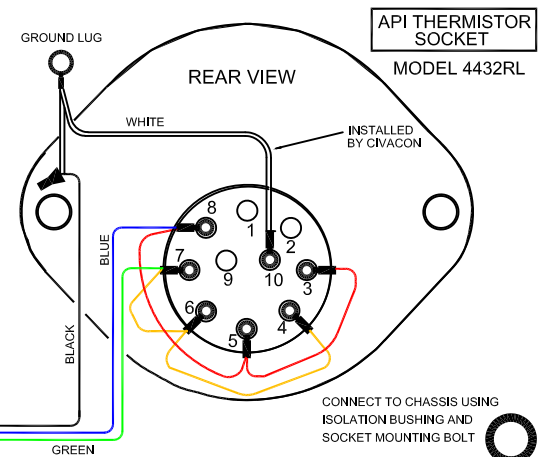
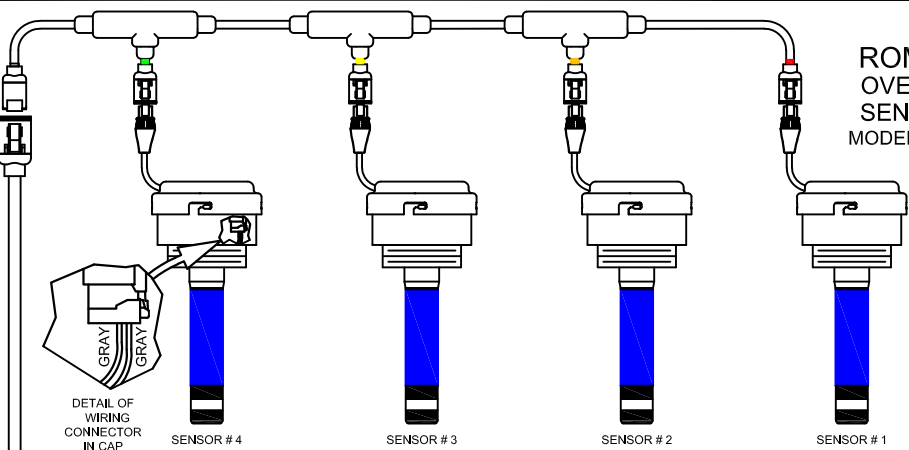


**CIVACON**  
PART OF OPW A DOVER COMPANY

**ROMLINK™**  
ROM III SYSTEM  
**CIVASTAR**

TECHNICAL SUPPORT:  
1-800-524-8226  
CUSTOMER SVC:  
1-800-560-6601

ROMLink  
OVERFILL  
SENSORS  
MODEL 5610RL



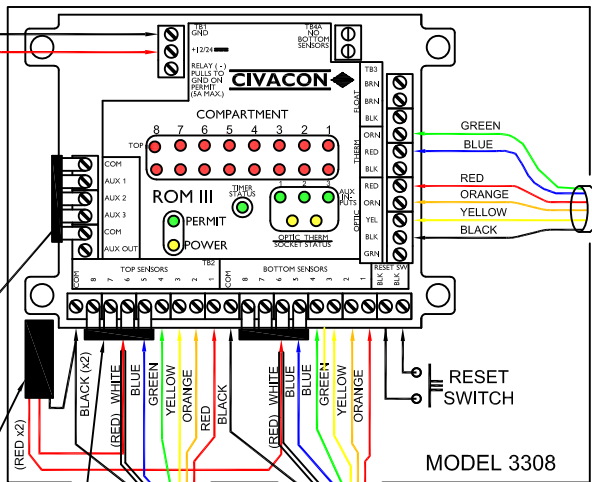
TO TRUCK BATTERY POWER

NEGATIVE (-)  
12 VOLTS  
POSITIVE (+)

CUSTOMER SUPPLIED  
OUTSIDE ENCLOSURE

SWITCH 1/2 AMP FUSE

1910A TERMINATOR  
(Remove Jumper Bars for 5, 6 or 7 Comp.  
Wiring & Remove Completely for 8 Comps.)



**AUXILIARY INPUTS**  
THE AUX. INPUTS ARE FACTORY JUMPERED CLOSED. TO USE THE AUX. INPUTS YOU MUST REMOVE THE JUMPER FOR THAT INPUT (1, 2 OR 3) AND PROVIDE A USER SUPPLIED SWITCH CLOSURE.

ROMLink  
RETAIN  
SENSORS  
MODEL 5004-RL

