

3" Aluminum Swing Check Valve

03-22-002DS

Civacon Check Valves offer more air flow, less heat build up. Lightweight durable and built for reliability

More Air Flow

A high flow valve means less pressure drop and faster loading time

Less Heat Build Up

Due to the spherical design of the Civacon 3" Aluminum Swing Check Valve less turbulence is created in the air stream, reducing back pressure, providing a smoother air flow with less heat build up and wear and tear on the blower

Molded Silicone Poppet Seals

Designed to withstand high-temperature dry bulk environments. Seal rated to 450°F

Easier to Rebuild and Service

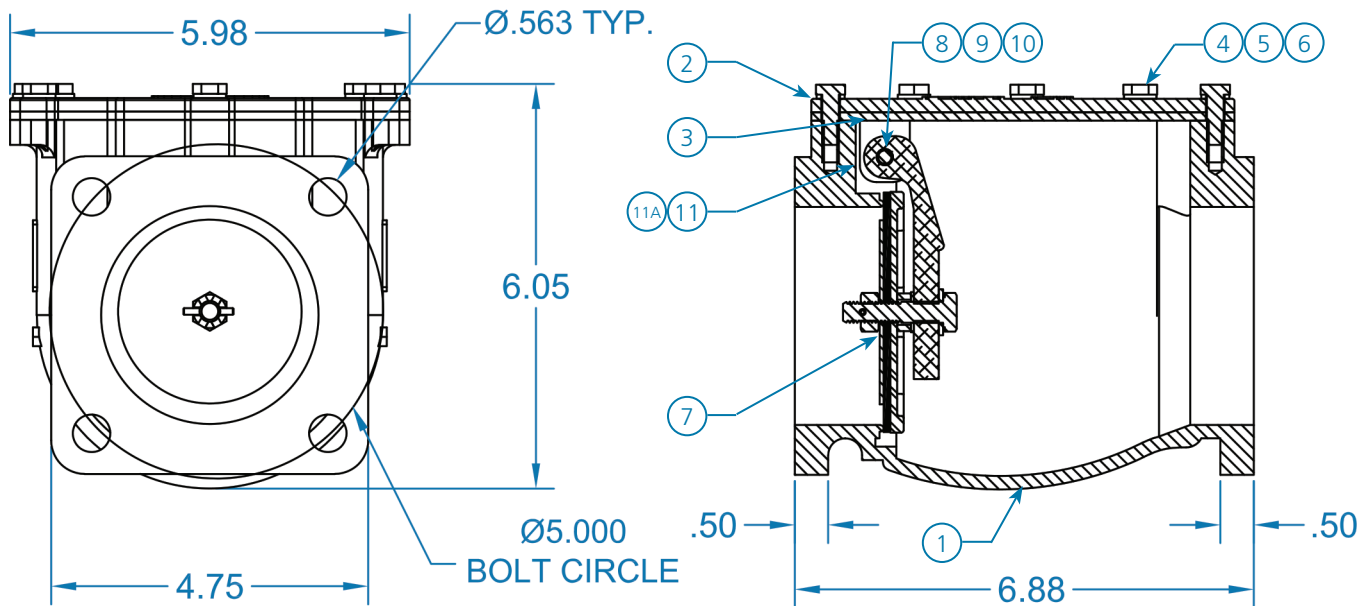
Since the poppet and top lift out a single unit, all serviceable parts are easily and efficiently accessible. Field maintenance is possible without removing the valve from the air line



Features and Benefits

- More Air Flow - A high flow valve means less pressure drop and faster unloading rates
- Less turbulence is created in the air stream, reduces back pressure, smoother air flow reducing heat build up
- Through bolts holes allow servicing of worn out bolts without destroying the casting
- Poppet and top cap lift out as a single unit allowing serviceable parts to be easy and efficient
- Maintenance is possible without removing the valve from the air line
- Embossed casting area provides an area to personalize each valve
- Optional deal tabs are available to ensure integrity of the load

3" Aluminum Swing Check Valve



Item	Description	VC3011FG	VC3012	VC3021	VC3022	Qty.
1	Alum. Body Machined	3-CV-A-BODY	3-CV-A-BODY	3-CV-A-BODY	3-CV-A-BODY	1
2	Alum. Lid	3-CV-A-LID	3-CV-A-LID	3-CV-A-LID	3-CV-A-LID	1
3	Lid Gasket	3-SC-A-GASKET	3-SC-A-GASKET	3-SC-A-GASKET	3-SC-A-GASKET	1
4	1/4-20 X 7/8" SS Screw	12419	12419	12419	12419	8
5	1/4" Washer	H20312M	H20312M	H20312M	H20312M	8
6	1/4" 18-8 Lock Washer	H50086M	H50086M	H50086M	H50086M	8
7	Poppet Arm Assy.	3-CV-A-POPPET-MOD	3-CV-A-POPPET-S	3-CV-A-POPPET-MOD	3-CV-A-POPPET-S	1
8	.245" x 1.195" SS Pin L	3-CV-PIN-L	3-CV-PIN-L	3-CV-PIN-L	3-CV-PIN-L	1
9	.245" x 1.195" SS Pin R	3-CV-PIN-R	3-CV-PIN-R	3-CV-PIN-R	3-CV-PIN-R	1
10	Teflon Bushing	3-CV-BUSHING	3-CV-BUSHING	3-CV-BUSHING	3-CV-BUSHING	1
11	17-7 Spring Left			3-CV-SPG-L	3-CV-SPG-L	1
11A	17-7 Spring Right			3-CV-SPG-R	3-CV-SPG-R	1

Ordering Specifications

Part Number	Description
VC3011FG	3" Alum. Swing Check Valve, EPDM Poppet, White Neoprene Gasket w/o Spring
VC3012	3" Alum. Swing Check Valve, Silicone Poppet, White Neoprene Gasket w/o Spring
VC3021	3" Alum. Swing Check Valve, EPDM Poppet, White Neoprene Gasket w/ Spring
VC3022	3" Alum. Swing Check Valve, Silicone Poppet, White Neoprene Gasket w/ Spring
KIT-VC-3115	3" Check Valve Repair Kit - EPDM
KIT-VC-3125	3" Check Valve Repair Kit - Silicone