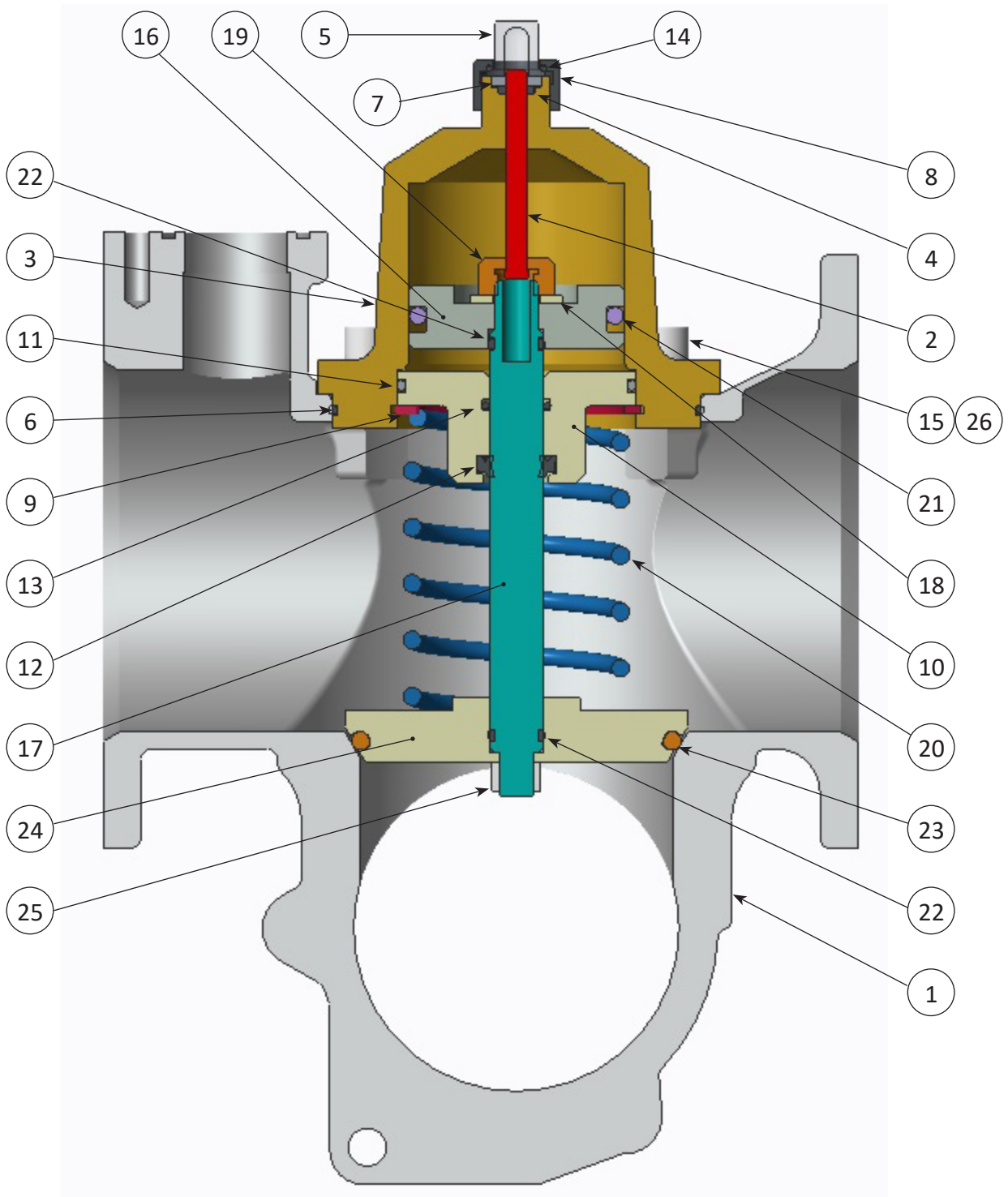


10540M Single Manifold Valve Assembly

01-05-001RP



10540M Single Manifold Valve Assembly

ITEM	PART NUMBER	DESCRIPTION	QTY.
1	11773M	BODY, SINGLE MANIFOLD, MACHINED	1
2	10207M	INDICATOR ROD	1
3	10390M	CYLINDER, SINGLE MANIFOLD	1
4	10241M	O-RING, 6 x 2.5	1
5	10773M	INDICATOR COVER	1
6	12955	O-RING, 103 x 2	1
7	10209M	INDICATOR WASHER	1
8	10772M	CARRIER, INDICATOR COVER	1
9	10237M	CIR CLIP, INT 70MM	1
10	10202M	END PLATE, CYLINDER	1
11	10243M	O-RING, 63 x 3	1
12	10238M	WIPER SEAL, 5/8" VITON	1
13	10520M	O-RING, 15.9 x 2.4	1
14	10776M	O-RING, 2-015 BUNA-N	1
15	10276M	SCREW, M8 x 25MM SOC HD	4
16	11255M	PISTON	1
17	10691M	ROD, POPPET	1
18	2618	PISTON WASHER	1
19	10205M	SHAFT NUT, PISTON	1
20	10233M	SPRING	1
21	10476M	O-RING, 52 x 6 FLUOROSILICON	1
22	10687M	O-RING	2
23	13009	O-RING, TEF-O-SIL	1
24	10678M	DISC, POPPET MACHINED	1
25	6119	NUT, LOCK 3/8-16	1
26	10806M	WSHR, M8 LOCK PLD	4

REPAIR KITS	
10540M-RK	POPPET REPLACEMENT KIT, SINGLE MANIFOLD
13111-RK	REPAIR KIT, MANIFOLD POPPET ASY. O-RING/SEALS, TEFLON
13111-RKV	REPAIR KIT, MANIFOLD POPPET ASY. O-RING/SEALS, VITON
11283M-RK	REPAIR KIT, MANIFOLD INDICATOR COVER