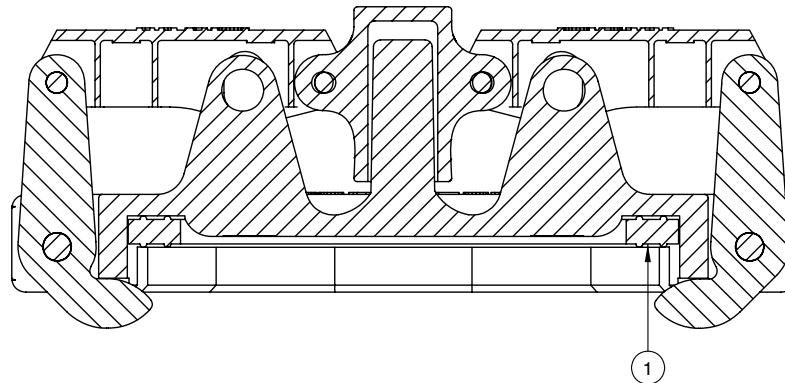
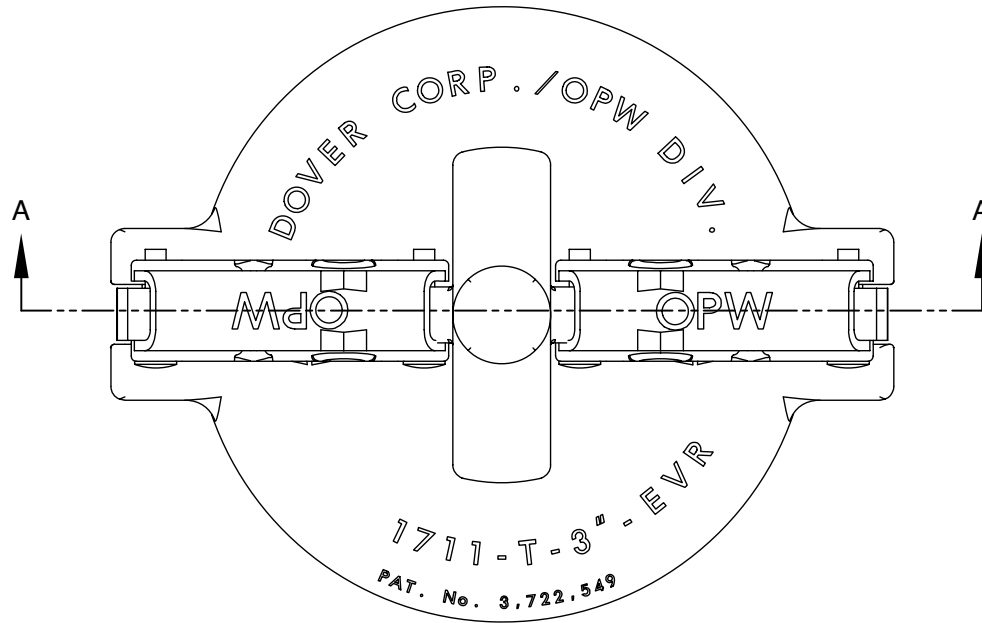




# 1711T 3" Dust Cap

## Replacement Parts

Rev. 0, January 2003



SECTION A-A

| ITEM | PART NUMBER | DESCRIPTION   | QTY. |
|------|-------------|---------------|------|
| 1    | H10866M     | GASKET (BUNA) | 1    |