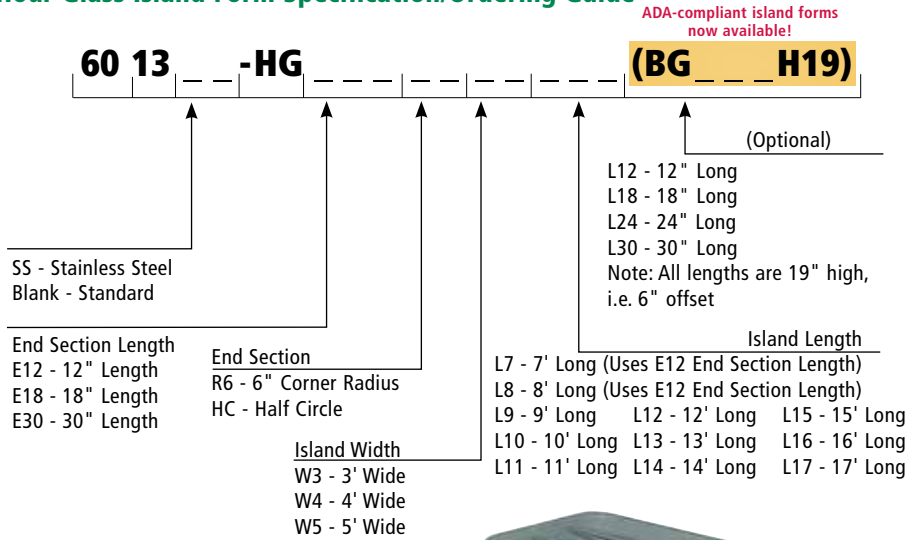
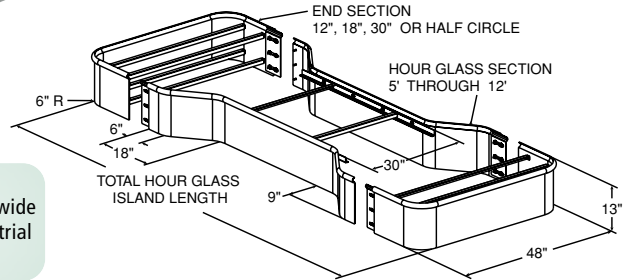


### Hour Glass Island Form Specification/Ordering Guide



Specify Standard Island Form configurations designed by OPW for a wide variety of retail, commercial and industrial traffic management applications.



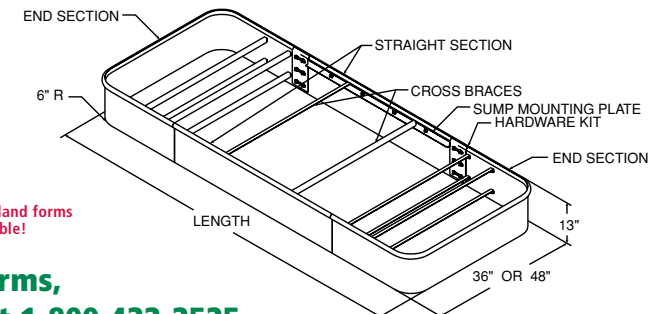
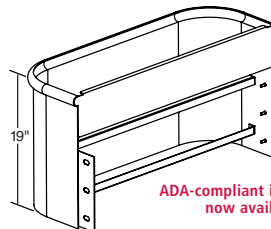
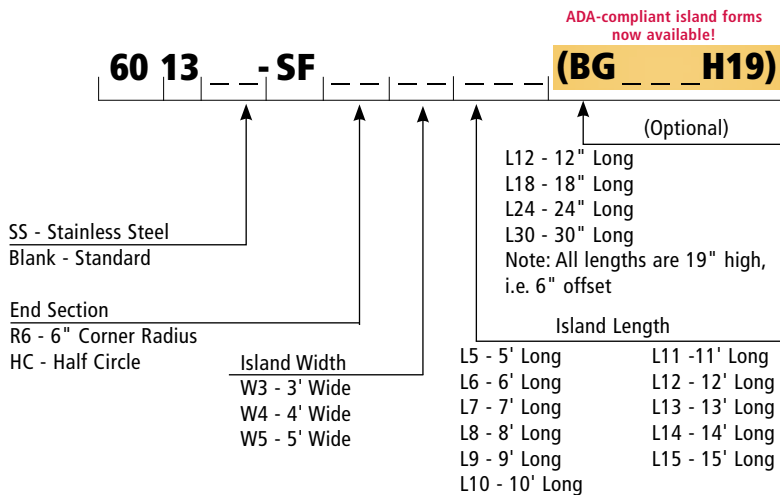
### OPW Standard Island Forms

Specify Standard Island Form configurations designed by OPW for a wide variety of retail, commercial and industrial traffic management applications. Available in hot-rolled 12-gauge primed gray steel and stainless steel models are 304 grade stainless.

### Hour Glass Island Forms

Hour Glass Island Forms are designed with side sections integrating a double-reverse 9" taper to provide easy access to multi-product gasoline dispensers while protecting expensive electronic equipment. Ends of these islands can be extended to wrap around canopy columns, hose bibs or trash receptacles by simply adding straight sections.

### Standard (Straight) Island Form Specification/Ordering Guide



### Standard (Straight) Island Forms

Straight Island Forms are designed with straight side sections to provide a convenient means of installing multiple dispensers on a single island. Straight Island Forms are also used to protect teller and ATM equipment at banks, restrict or route material handling equipment in warehouses, streamline traffic flows in toll booths and quick-serve restaurants and various other commercial traffic routing applications. Standard models are steel and stainless steel models are 304 stainless.

**Note:**  
End Sections on Standard Island Forms are 2'-6" in length.

**For Custom Island Forms,  
Contact OPW Customer Service at 1-800-422-2525**