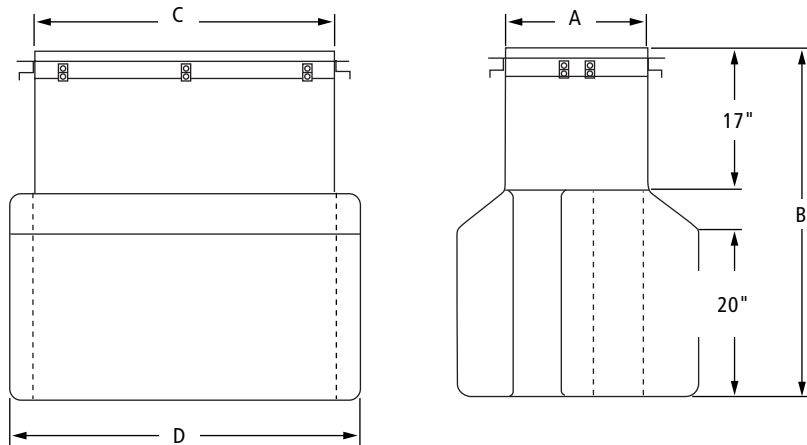


Fiberglass Dispenser Sumps

FlexWorks Fiberglass Dispenser Sumps allow the supply piping to enter and/or exit out of the sidewall of the containment sump at a very low elevation. Ideal for pressure piping systems requiring indirect slope back to the tank.

Features & Benefits:

- ◆ **Structural Integrity** – engineered with thick side walls to withstand backfill and high water table forces.
- ◆ **Full Access Working Area** – frame is attached after plumbing is complete.
- ◆ All three models have an external conduit channel.



Ordering Specifications* - Fiberglass Dispenser Sumps**

Model #	A		B		C		D		Weight	
	in.	cm	in.	cm	in.	cm	in.	cm	lbs.	kg
FDS-4021	17	43	42	106	36	91	42	106	102	46.27
FDS-4319	15	38	42	106	39	99	39	99	107	48.53

Refer to FlexWorks Dispenser Sump Selection Chart (See Pages 42 - 43 of this catalog) to select sumps for particular dispensers.

*All models are designed with conduit-less frames. All models have an external conduit channel.

**Add -DW" for double-wall version.

Ordering Specifications - FlexWorks Dispenser Sump Selection Chart

Dispenser Manufacturer & Model	Dispenser Footprint Dimensions		FlexWorks One-Piece Polyethylene Sump	FlexWorks Wide-Access Polyethylene Sump	FlexWorks One-Piece Polyethylene Pan	FlexWorks One-Piece Fiberglass Sump	FlexWorks Wide-Access Fiberglass Sump	Stabilizer Bar Kit
	in.	cm						
GILBARCO								
Commercial 625, 650, 684 Series (21" / 53" cm Frame)	15 ¹¹ / ₁₆ " x 21"	40 x 53	DS-1117F	---	DP-1117F	---	---	SBK-1100J
Salesmaker-2 Series (21" / 53 cm Frame)	15 ¹¹ / ₁₆ " x 21"	40 x 53	DS-1117F	---	DP-1117F	---	---	SBK-1100J
Highline 11B Series (21" Frame / 53 mm)	15 ¹¹ / ₁₆ " x 21"	40 x 53	DS-1117F	---	---	---	---	SBK-1100J
Highline 111B Series (27" / 69 cm Frame)	15 ¹¹ / ₁₆ " x 27"	40 x 53	DS-1123F	DSW-1123F	DP-1123F	---	---	SBK-1100J
Trimline 251, 252, 261, 262 (27" / 69 cm Frame)	15 ¹¹ / ₁₆ " x 27"	40 x 69	DS-1123F	DSW-1123F	DP-1123F	---	DSF-1123F	SBK-1100J
Trimline 154, 164, 251, 262 (27" / 69 cm Frame)	15 ¹¹ / ₁₆ " x 21"	40 x 69	DS-1117F	---	---	---	---	SBK-1100J
Commercial 650 Series (27" / 69 cm Frame)	15 ¹¹ / ₁₆ " x 27"	40 x 69	DS-1123F	DSW-1123F	DP-1123F	---	DSF-1123F	SBK-1100J
Highline Salesmaker Series	15 ¹¹ / ₁₆ " x 21"	40 x 69	DS-1117F	---	DP-1117F	---	---	SBK-1100J
Highline Salesmaker Series (27" / 69 cm Frame)	15 ¹¹ / ₁₆ " x 27"	40 x 69	DS-1123F	DSW-1123F	DP-1123F	---	DSF-1123F	SBK-1100J
Salesmaker-4 Series (27" / 69 cm Frame)	15 ¹¹ / ₁₆ " x 27"	40 x 69	DS-1123F	DSW-1123F	DP-1123F	---	DSF-1123F	SBK-1100J
Legacy Series	15 ¹¹ / ₁₆ " x 27"	40 x 69	DS-1123F	DSW-1123F	DP-1123F	---	DSF-1123F	SBK-1100J
Encore Series 	23 ¹ / ₂ " x 40 ⁹ / ₁₆ "	60 x 103	DS-1836	DSW-1836 DSW-1836CL	DP-1836	FDS-4021	DSF-1836 DSF-1836C	SBK-1800*
Advantage (36" / 91 cm Frame Models)	21 ¹ / ₂ " x 36"	55 x 91	DS-1630	DSW-1630	DP-1630	---	DSF-1630	SBK-1600
Quad or Dual	---	---	---	---	---	---	---	---
Blender X + O (36" / 91 cm)	---	---	---	---	---	---	---	---
Advantage (48" / 122 cm Frame Models)	21 ¹ / ₂ " x 48"	55 x 122	DS-1642	---	---	---	---	SBK-1600*
Blender Six-Hose	---	---	---	---	---	---	---	---
Blender Single-Hose	---	---	---	---	---	---	---	---
Blender X + O (48" / 122 cm) or X + 1 (48" / 122 cm)	---	---	---	---	---	---	---	---
MPD-1, MPD-2, MPD-3	16" x 48"	41 x 122	DS-1036	---	---	---	---	SBK-1000J
MPD Fixed Blender	16" x 48"	41 x 122	DS-1036	---	---	---	---	SBK-1000J
	---	---	---	---	---	---	---	---
BENNETT								
Bennett Pacific 	19 ¹ / ₂ " x 43 ¹ / ₂ "	49 x 110	DS-1543A	---	---	---	---	SBK-1500
Bennett 3000 Series	20" x 30"	51 x 76	DS-1123B	---	---	---	---	SBK-1100J
PD MCLAREN								
RDR HSx (Single Product, Single Hose)	21" x 17.75"	53 x 45	---	DSW-1922	---	---	---	SBK-1900
RDR HSx-D1 (Single Product, Dual Hose)	21" x 17.75"	53 x 45	---	DSW-1922	---	---	---	SBK-1900
RDR HSx-D2 (Dual Product, Dual Hose)	21" x 17.75"	53 x 45	---	DSW-1922	---	---	---	SBK-1900
RDR HSx-SAT (Master Unit and Satellites)	21" x 17.75"	53 x 45	---	DSW-1922	---	---	---	SBK-1900
RDR HSx-X2 (Single Product, Dual Hose, One at a Time)	21" x 17.75"	53 x 45	---	DSW-1922	---	---	---	SBK-1900



* For FDS-4021 Models, use Stabilizer Bar SBK-1800.

Ordering Specifications - FlexWorks Dispenser Sump Selection Chart

Dispenser Manufacturer & Model	Dispenser Footprint Dimensions		FlexWorks One-Piece Polyethylene Sump	FlexWorks Wide-Access Polyethylene Sump	FlexWorks One-Piece Polyethylene Pan	FlexWorks One-Piece Fiberglass Sump	FlexWorks Wide-Access Fiberglass Sump	Stabilizer Bar Kit
	in.	cm						
GASBOY								
0215A, 216A (19 ⁷ / ₈ " Frame / 50.5 mm)	17 ¹ / ₄ " x 19 ⁷ / ₈ "	49 x 50.5	DS-1117F	---	DP-1117F	----	---	SBK-1100J
52 and 53 Series	17" x 19 ⁷ / ₈ "	44 x 50.5	DS-1117F	---	DP-1117F	----	---	SBK-1100J
8700, 8800, 9100, 9800 Series	17 ¹ / ₄ " x 25"	44 x 63.5	DS-1120	----	----	----	----	SBK-1100J
25" Frame 63.5 mm	17 ¹ / ₄ " x 25"	44 x 63.5	----	----	----	----	----	----
8700, 8800, 9100, 9800 Series (28 ¹ / ₄ " Frame / 72 mm)	17 ¹ / ₄ " x 28"	44 x 71	DS-1123	DSW-1123	DP-1123	----	DSF-1123F	SBK-1100J
9850A	15 ¹ / ₁₆ " x 21"	40 x 69	DS-1120	DSW-1120	----	----	DSF-1120	SBK-1100J

* Stabilizer bar is installed widthwise in dispenser sump

DRESSER / WAYNE

350, 357, 358, 360, 370 Series	15" x 25 ⁷ / ₈ "	30 x 66	DS-1123F	DSW-1123F	DP-1123F	----	DSF-1123F	SBK-1100J
Vista 380 Series (387, 389)	20" x 35"	51 x 89	DS-1229	---	----	----	---	SBK-1200J
Vista 590 Series (590, 595)	20" x 48"	51 x 122	DS-1242	---	----	----	---	SBK-1200J
Vista 390 Series (395, 399)	20" x 48"	51 x 122	DS-1242	---	----	----	---	SBK-1200J
Vista 490 Series	20" x 48"	51 x 122	DS-1242	---	----	----	---	SBK-1200J
DL390, 395, 399 Series	20" x 48"	51 x 122	DS-1242	---	----	----	---	SBK-1200J
HS1 Satellite / 287 Series	20" x 35"	51 x 89	DS-1229	---	----	----	---	SBK-1200J
Ovation 	19 ¹ / ₂ " x 43 ¹ / ₂ "	50 x 110	DS-1543A**	DSW-1543 DSW-1543C	DP-1543	FDS-4319*	DSF-1543 DSF-1543C	SBK-1500
Select	19 ³ / ₈ " x 32 ⁵ / ₁₆ "	49 x 82	DS-1928	----	----	----	DSF-1630	SBK-1500
Global Century	19 ³ / ₈ " x 32 ⁵ / ₁₆ "	49 x 82	DS-1928	----	----	----	DSF-1630	SBK-1500
Reliance	19 ³ / ₈ " x 32 ⁵ / ₁₆ "	49 x 82	DS-1928	----	----	----	DSF-1630	SBK-1500
HS4 / HS3 / Vista	19 ³ / ₈ " x 32 ⁵ / ₁₆ "	49 x 82	DS-1630	DSW-1630***	DP-1630	----	DSF-1630***	SBK-1600
Narrow Frame Helix (2000, 4000)	20" x 33"	51 x 84	DS-1630	----	----	----	----	SBK-1600
Wide Frame Helix (5000) 	26" x 44"	51 x 112	DS-1741	----	----	----	----	SBK-1700

TOKHEIM

1200, 1248, 1250 Series	17 ¹ / ₄ " x 25"	44 x 64	DS-1120	DSW-1120	----	----	DSF-1120	SBK-1100J
330B, 333B Series	17 ¹ / ₄ " x 44"	44 x 112	DS-1642	---	----	----	---	SBK-1600

* For FDS-4319 Model use Stabilizer Bar SBO-0250.